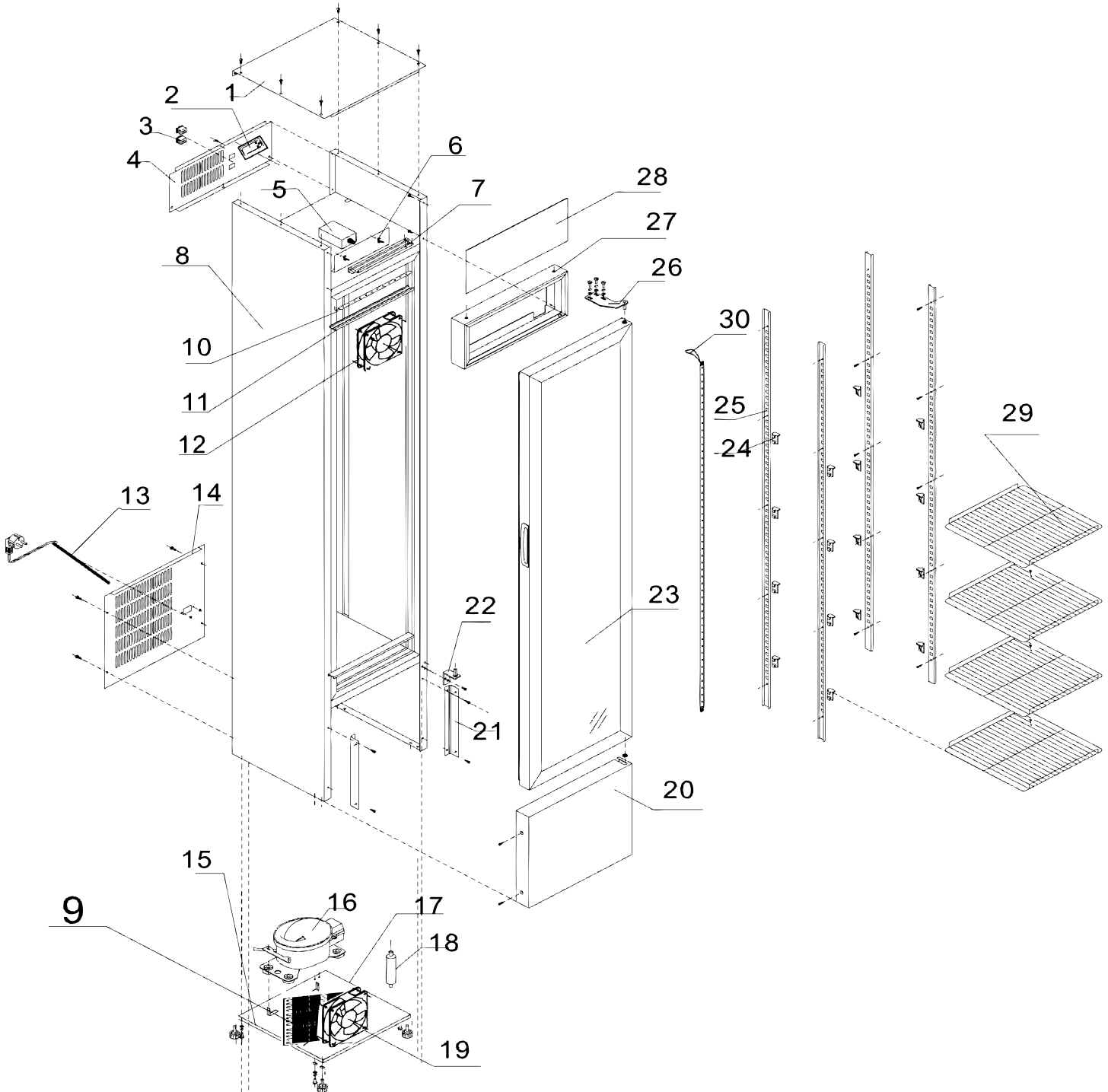


Parts Breakdown

Model FR-CN-0105B 47242



Parts Breakdown

Model FR-CN-0105B 47242

Item No.	Description	Position	Item No.	Description	Position	Item No.	Description	Position
AH311	Top Panel for 47242	1	AH321	Lampshade for 47242	11	AH331	Connector for Front Bottom Panel for 47242	21
AH312	Digital Temperature Controller for 47242	2	AH322	Evaporation Fan for 47242	12	AH332	Hinge Down for 47242	22
AH313	On/Off Button for 47242	3	AH323	Power Line for 47242	13	AH333	Glass Door for 47242	23
AH314	Back Panel for 47242	4	AH324	Seal Plate for Compressor Room for 47242	14	AH334	Shelf Holder for 47242	24
AH315	Transformer for LED for 47242	5	AH325	Base Foot for 47242	15	AH335	Stand Column for 47242	25
AH316	Lamp Holder for 47242	6	AH278	Compressor NUG60LR for 47242	16	AH336	Hinge Upper for 47242	26
AH317	LED Tube for 47242	7	AH327	Bottom Plate for Compressor for 47242	17	AH337	Top Frame for Light Box for 47242	27
AH318	Case for 47242	8	AH328	Filter Drier for 47242	18	AH338	Lamp Plate for 47242	28
AH319	Condenser for 47242	9	AH329	Heat Elimination Fan for 47242	19	AH339	Shelf for 47242	29
AH320	Inner LED Lamp for 47242	10	AH330	Front Bottom Panel for 47242	20	AH222	Light on Glass Door for 47242	30